



## Better transformer protection with accurate oil level monitoring

- Corrosion resistant materials provide long, trouble free life
- Designed to withstand frequently submerged environments

### Product Summary

**Description** Provides continuous indication of the liquid level in a transformer's main tank, conservator tank or load tap changer compartment. Gear driven mechanism provides amplified dial pointer movement proportional to the float travel. Gasket free, weld-on flange removes the possibility of seal degradation and inhibits leaking.

**Application** For monitoring oil level of a transformer's main tank, load tap changers or conservator. Designed for use in harsh environmental conditions.





**Better transformer protection with accurate oil level monitoring**

- Gauges are factory calibrated and tested to be within 5° of the indicating mark
- Gear driven mechanism provides amplified dial pointer travel relative to the float travel for more precise monitoring

**Corrosion resistant materials provide long, trouble free life**

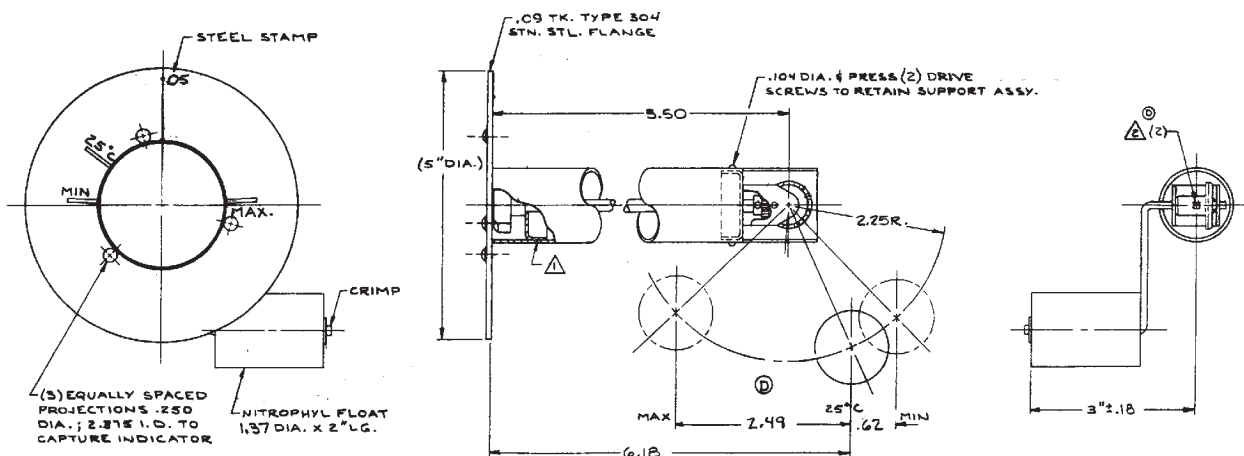
- Case is available in brass or stainless steel with a thermosetting powder coat finish
- Stainless steel flange, case and other hardware protect gauge from harsh environmental conditions

**Designed to withstand frequently submerged environments**

- Gasket free, weld-on flange removes the possibility of seal degradation and inhibits leaking
- Stainless steel exterior and protective finish can withstands long periods of submersion and grueling environments

## TECHNICAL SPECIFICATIONS

<b>Mechanical</b>	Mounting	Weld on flange
	Float mechanism	Geared
<b>Dimensions</b>	Flange diameter	5.00" (127 mm)
	Dial diameter	3.00" (76.2 mm)
<b>Materials</b>	Case	Brass or stainless steel, ASA #70 light grey, with a thermosetting powder coat finish
	Bezel	Stainless steel
	Flange	Stainless steel
	Float rod	Brass, copper coated steel
	Float	Nitrophenyl



©2008 QUALITROL® Company LLC, an ISO 9001 system certified company. All rights reserved. Information subject to change without notice.

All trademarks are properties of their respective companies, as noted herein. AP-L17-04L-01E.