

STANDARD SPECIFICATIONS:

Temperature Sensing System: Bellows type expansion system (no mercury) compensated for ambient temperature changes

Capillary Type: Copper-nickel with a protective stainless steel cover

Accuracy: For $T > 0^{\circ}\text{C}$: $\pm 2\%$ of Full Scale Range

Switches: 2, 4, or 6 Form C contacts, Electrically separated circuits, Each switch can be set independently

Terminal Wiring Switches: 1.5mm² to 4mm²

Ingress Protection: IP66 Standard

Corrosion Protection: C5-High as per ISO 12944

Ambient Operating Temperature: -40°C to 70°C - Standard
-60°C to 70°C - Polar

Storage Temperature: -50°C to 80°C

General Requirements: Per IEC 60076-22-1

Dielectric Isolation Switches: 2000VAC to Earth for 60 Seconds

Dielectric Isolation Remote Output: 500VAC to Earth for 60 Seconds

Overvoltage category, Pollution degree, Class: Category III, Pollution degree 2, Insulation Class 1

QUALITROL AKM 345 GEN3 OTIWTI™

CONFIGURATION FORM

SELECTION PAGE

✉ INFO@QUALITROLCORP.COM

🌐 WWW.QUALITROLCORP.COM



THERMOMETER STYLE

- 34/GEN3 - Oil Temperature 35/GEN3 - Winding Temperature

MATCHING RESISTANCE

- None
 TD50 - CT < 2.20 A
 TD76 - CT < 2.65 A
 TD50(5AMP) - CT < 5A
 TD50(X2) - Double Gradient
 TD76(X2) - Double Gradient

MEASUREMENT RANGE (DIAL INDICATION RANGE °C)

- 0 - 150°C
 0 - 160°C
 0 - 180°C
 -20 - 130°C
 -20 - 140°C
 -40 - 140°C

MEASURING ACCURACY (% FULL SCALE DEFLECTION)

- ± 2% FSD (standard)
 ± 1.3% FSD
 ± 1% FSD

NUMBER OF SWITCHES

- 2
 4
 6

SWITCH TYPE/RATINGS

SWITCH TYPE	RATED VOLTAGE	RESISTIVE LOAD	INDUCTIVE LOAD
<input type="checkbox"/> STANDARD SWITCH	125 VAC	15 A	15 A
	250 VAC	15 A	15 A
	125 VDC	0.75 A	0.4 A
	250 VDC	0.3 A	0.2 A
<input type="checkbox"/> MBO SWITCH ①	125 VAC	10 A	6 A
	250 VAC	3 A	1.5 A
	125 VDC	10 A	6 A
<input type="checkbox"/> GOLD SWITCH	250 VDC	3 A	1.5 A
	125 VAC	0.1 A	---
	125 VDC	0.1 A	---

① Minimum Electrical Operations = 100,000 cycles; all others 500,000 cycles minimum

PROBE TYPE (SEE PAGE 3)

- Type 11
 Type 12
 Type 15
 Type 16
 Type 18
 Type 19

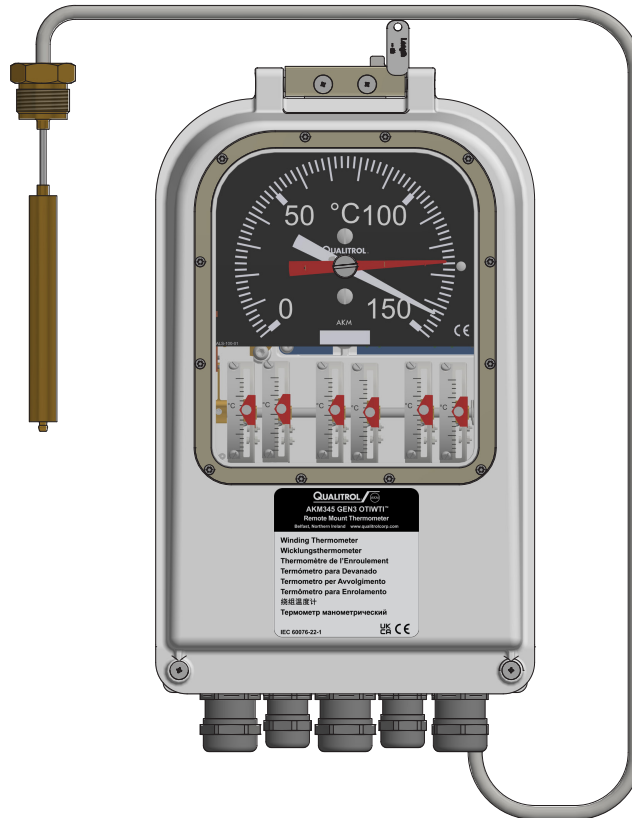
OPTIONAL PROBE ADAPTOR

Available with Probe Type	16	18	19
	Available for All Probes		
<input type="checkbox"/> None	YES		YES
<input type="checkbox"/> G3/4 Male		YES	YES
<input type="checkbox"/> G3/4 Female		YES	YES
<input type="checkbox"/> G1/2 Male		YES	YES
<input type="checkbox"/> G1/2 Female		YES	YES
<input type="checkbox"/> G1 Male	YES		
<input type="checkbox"/> M22 x 1.5mm	YES	YES	YES
<input type="checkbox"/> M27 x 2mm		YES	YES

NOTE: Optional Probe Adaptors are not available with Probe Types 11, 12, and 15.

CAPILLARY LENGTH

- 2 Meters
 4 Meters
 6 Meters
 8 Meters
 10 Meters
 12 Meters
 16 Meters
 20 Meters



SWITCHING DIFFERENTIAL

- Standard - All 12 ± 2°C
 All Adjustable

REMOTE INDICATION AND/OR COMMUNICATIONS

Non-Powered Output	
<input type="checkbox"/> Pt100 - 3-wire	
or	
Powered Outputs	
<input type="checkbox"/> 4-20mA	
<input type="checkbox"/> 2 x 4-20mA	
<input type="checkbox"/> 4-20mA & 0-5VDC	
<input type="checkbox"/> YES	RS-485 MODBUS ②
<input type="checkbox"/> NO	

② MODBUS only available with a powered remote output

CASE FINISH

- RAL7000 C5-High (standard)
 RAL7035 C5-High

ENVIRONMENT

- Standard -40°C
 Polar -60°C

CABLE ENTRY

- M20 & M25 - As Required
 M20 & M25 - All Fitted
 Blanking Plugs

MOUNTING (SEE PAGE 4)

- Standard
 Seismic
 Universal

LENS MATERIAL

- POLYCARBONATE
 GLASS



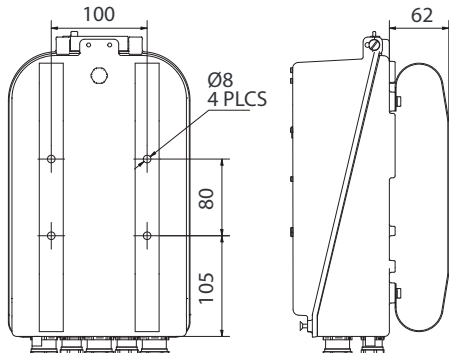
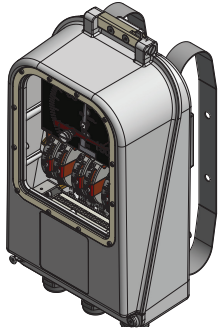
PROBE TYPES

<p>11</p>	
<p>12</p>	
<p>15</p>	
<p>16</p>	
<p>18</p>	
<p>19</p>	

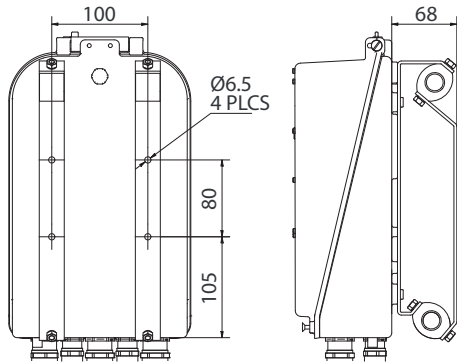
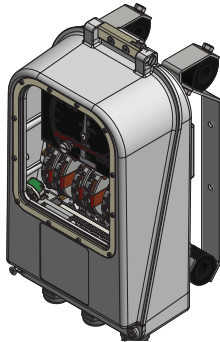


MOUNTING STYLES AND WIRING

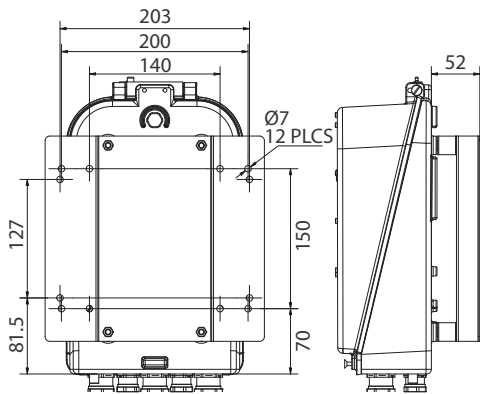
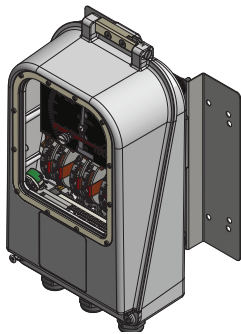
Standard Mount



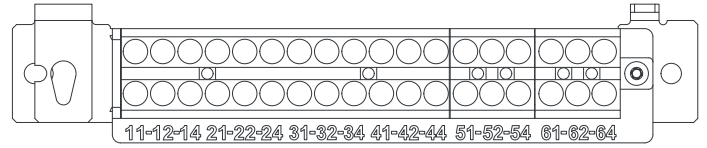
Seismic Mount



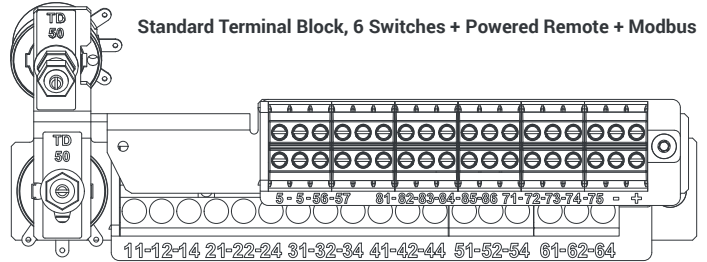
Universal Mount



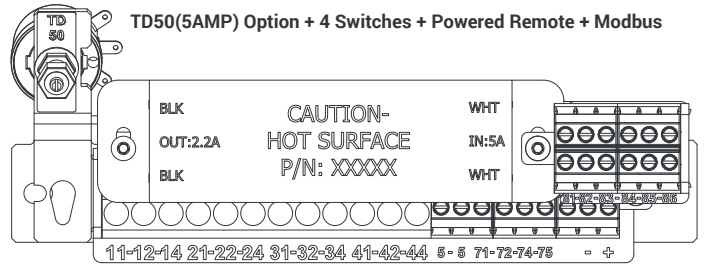
Standard Terminal Block, 6 Switches



Standard Terminal Block, 6 Switches + Powered Remote + Modbus



TD50(5AMP) Option + 4 Switches + Powered Remote + Modbus



TD50(5AMP) Option + 6 Switches + Pt100 Remote

